

Before you start

We recommend that you check the contents of the pack to ensure that you have all the parts required. Each pack will contain a single shelf, along with the appropriate number of shelf brackets and screws.

600mm shelf - 2 brackets

900mm shelf - 2 brackets

1200mm shelf - 2 brackets

1500mm shelf - 3 brackets

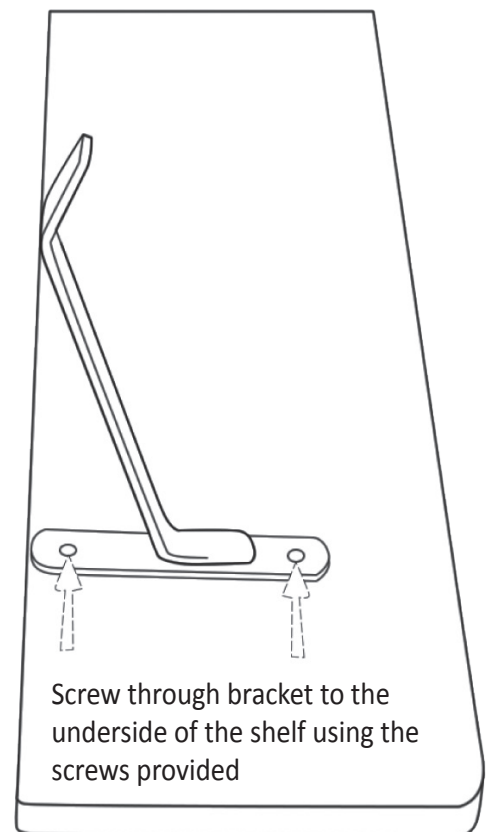
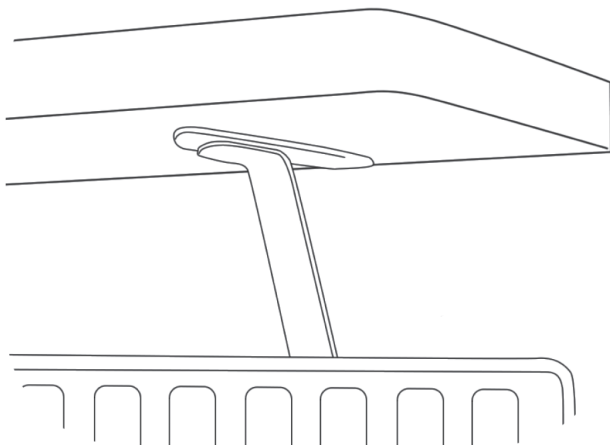
1800mm shelf - 4 brackets

Fitting Your Radiator Shelf

You will need a Phillips screwdriver.

Turn the shelf over and screw the brackets to the underside of the shelf, aligning them to the rear of the shelf. The first 2 brackets should be 100mm from each end and any additional brackets equally spaced between them.

With the brackets in place, your shelf can now be placed onto your radiator. The brackets will fix the shelf in place behind the radiator.



We recommend...

Load your shelf evenly

Clean with a soft damp cloth only

Wipe away any spills immediately

Please DO NOT...

Do not use abrasive cleaning agents